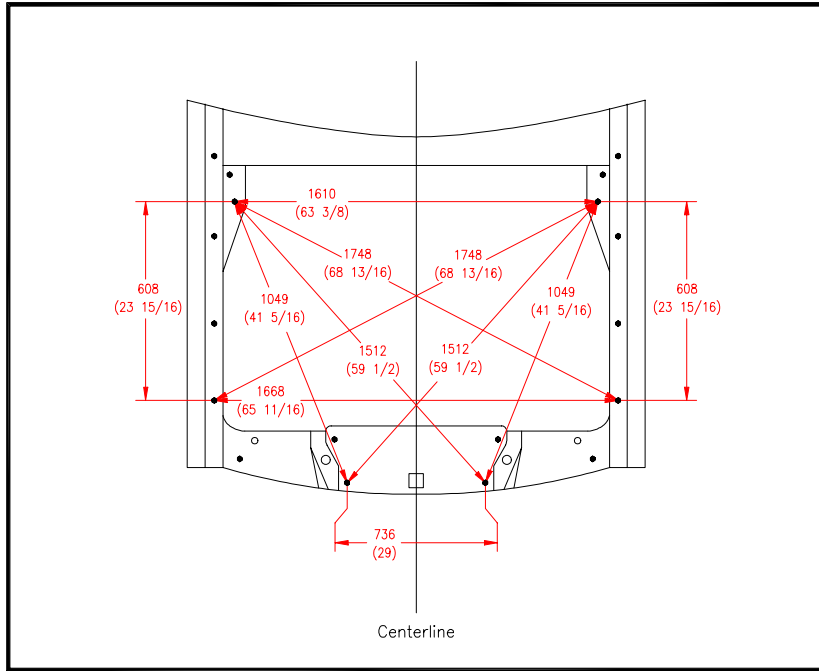
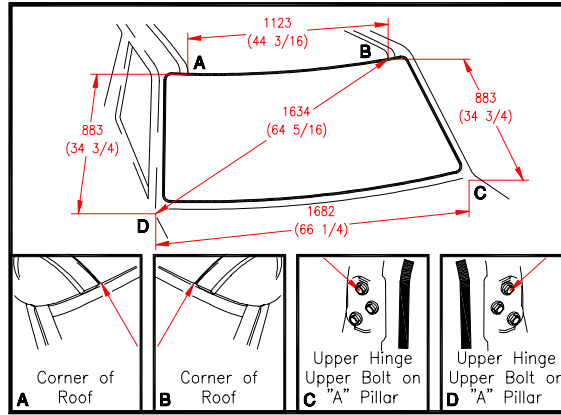


Dimension Information - 4-Door Fig 2: Complete Upperbody 1995 Land Rover RangeRover

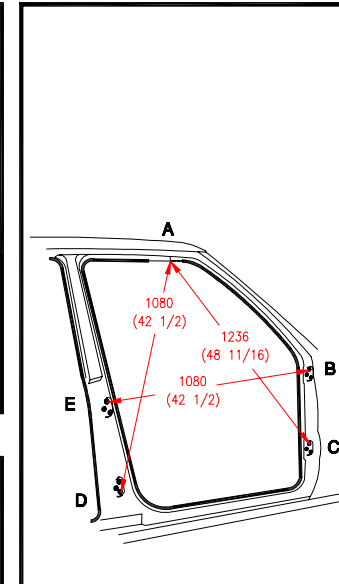
**ENGINE COMPARTMENT**



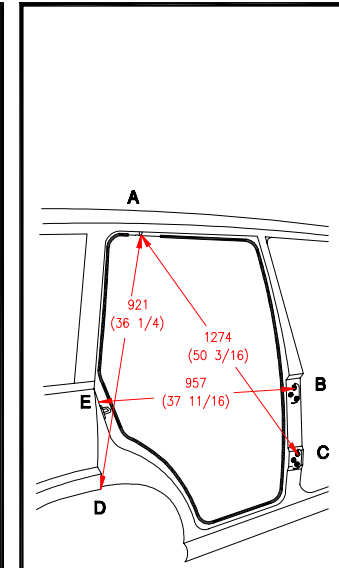
**WINDSHIELD**



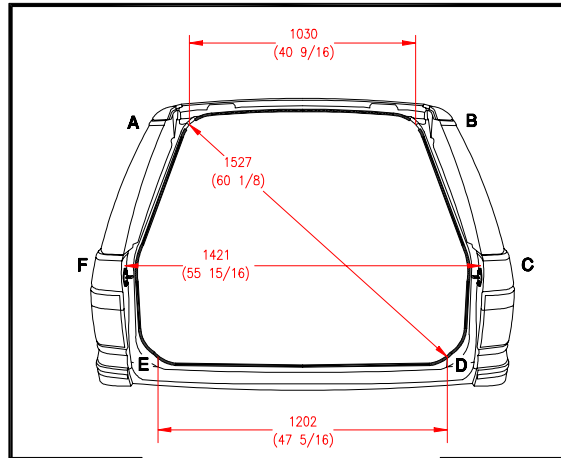
**FRONT DOOR**



**REAR DOOR**



**TAILGATE**



**INSIDE PASSENGER COMPARTMENT**

